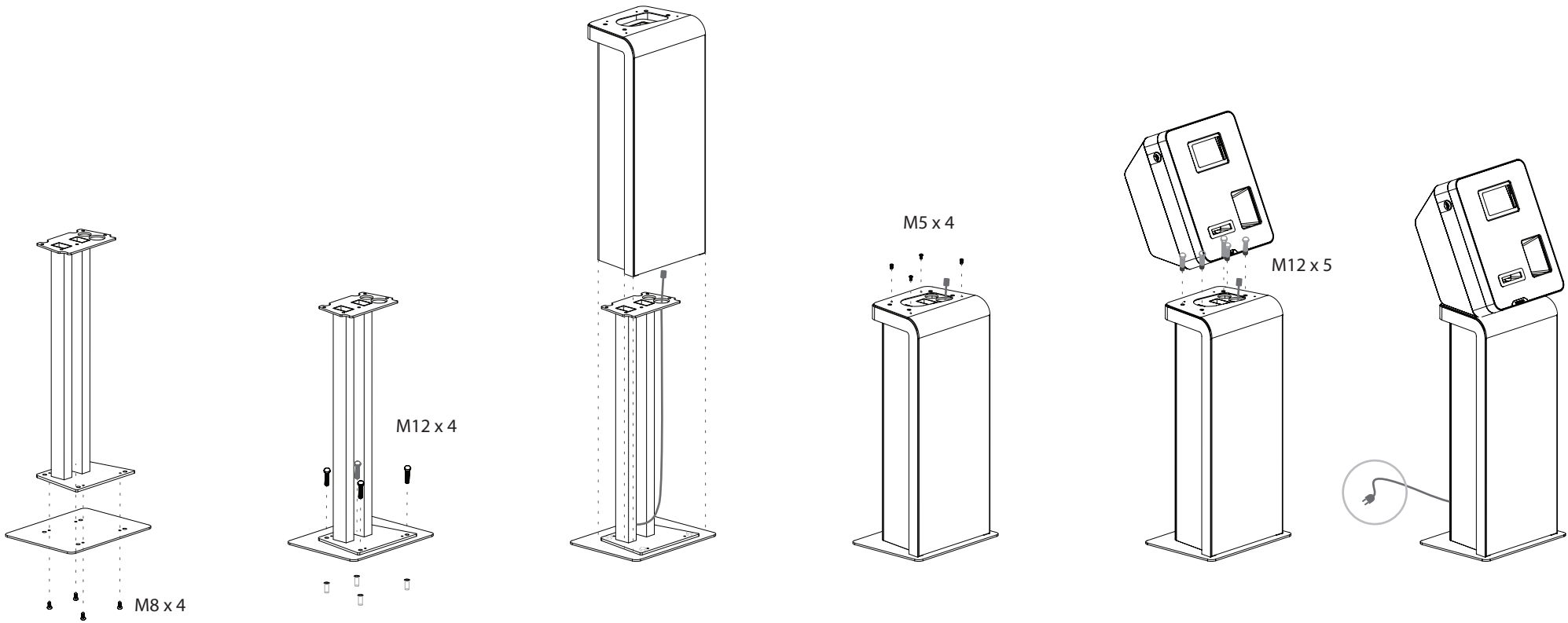


Bitcoin Machine Mounting Scheme



LAMASSU
BITCOIN VENTURES



1

Screw the bottom plate into the interior structure

2

Anchor the structure into the floor using the metal anchors

3

Insert the cover and the power cable

4

Screw the cover into the structure

5

Screw the bottom plate into the interior structure

6

Connect it to the power outlet and you're ready